

ПАРТИЯ



СЕРВИС



Трубы

Прутки

Пластины

Заготовки из ZEDEX 100

ООО "Партия-Сервис" г. Ярославль, тел./факс: (4852) 58-37-48; тел.: 98-52-98

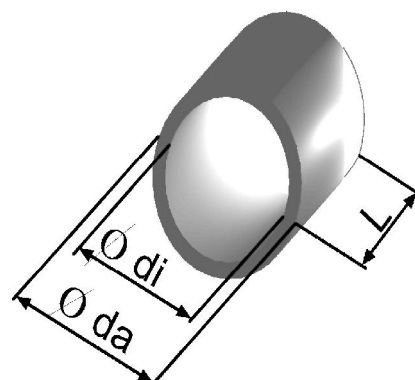
Трубы из ZEDEX 100

Длина:

< 3кг/м: длина 2000 мм

> 30 кг/м: длина 1000 мм

Необходимая длина по запросу



Артикул	da	da max	di	di min	Толщина стенки
	мм	мм	мм	мм	мм
HZRA1K030020	30	31.50	20	18.80	5.0
HZRA1K035020	35	36.75	20	18.80	7.5
HZRA1K035025	35	36.75	25	23.50	5.0
HZRA1K040020	40	42.00	20	18.80	10.0
HZRA1K040025	40	42.00	25	23.50	7.5
HZRA1K040030	40	42.00	30	28.20	5.0
HZRA1K045020	45	47.25	20	18.80	12.5
HZRA1K045025	45	47.25	25	23.50	10.0
HZRA1K045030	45	47.25	30	28.20	7.5
HZRA1K045035	45	47.25	35	32.90	5.0
HZRA1K050020	50	52.50	20	18.80	15.0
HZRA1K050025	50	52.50	25	23.50	12.5
HZRA1K050030	50	52.50	30	27.30	10.0
HZRA1K050035	50	52.50	35	32.90	7.5
HZRA1K050040	50	52.50	40	37.60	5.0
HZRA1K055020	55	57.75	20	18.80	17.5
HZRA1K055025	55	57.75	25	23.50	15.0
HZRA1K055030	55	57.75	30	27.10	12.5
HZRA1K055035	55	57.75	35	32.90	10.0
HZRA1K055040	55	57.75	40	37.60	7.5
HZRA1K055045	55	57.75	45	42.30	5.0
HZRA1K060020	60	63.00	20	18.80	20.0
HZRA1K060025	60	63.00	25	23.50	17.5
HZRA1K060030	60	63.00	30	28.20	15.0
HZRA1K060035	60	63.00	35	32.90	12.5
HZRA1K060040	60	63.00	40	37.60	10.0
HZRA1K060045	60	63.00	45	42.30	7.5
HZRA1K060050	60	63.00	50	47.00	5.0
HZRA1K065030	65	68.25	30	23.50	20.0
HZRA1K065035	65	68.25	35	32.90	15.0
HZRA1K065040	65	68.25	40	37.60	12.5
HZRA1K065045	65	68.25	45	42.30	10.0
HZRA1K065050	65	68.25	50	47.00	7.5
HZRA1K065055	65	68.25	55	51.70	5.0
HZRA1K070030	70	73.50	30	28.20	20.0
HZRA1K070035	70	73.50	35	32.90	17.5
HZRA1K070040	70	73.50	40	37.60	15.0
HZRA1K070045	70	73.50	45	42.30	12.5
HZRA1K070050	70	73.50	50	47.00	10.0
HZRA1K070055	70	73.50	55	51.70	7.5
HZRA1K070060	70	73.50	60	56.40	5.0

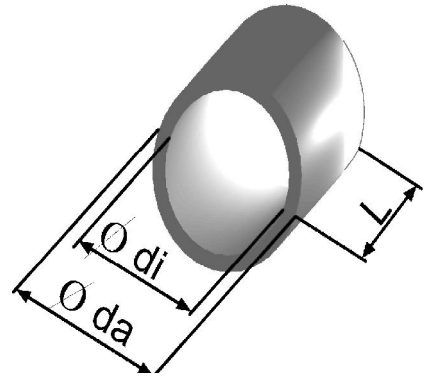
Трубы из ZEDEX 100

Длина:

< 30 кг/м: длина 2000 мм

> 30 кг/м: длина 1000 мм

Необходимая длина по запросу



Артикул	da	da max	di	di min	Толщина стенки
	мм	мм	мм	мм	мм
HZRA1K075030	75	78.80	30	28.20	22.5
HZRA1K075035	75	78.75	35	32.90	20.0
HZRA1K075040	75	78.75	40	37.60	17.5
HZRA1K075045	75	78.75	45	42.30	15.0
HZRA1K075050	75	78.75	50	47.00	12.5
HZRA1K075055	75	78.75	55	51.70	10.0
HZRA1K075060	75	78.75	60	56.40	7.5
HZRA1K075065	75	78.75	65	61.10	5.0
HZRA1K080030	80	84.00	30	28.20	25.0
HZRA1K080035	80	84.00	35	32.90	22.5
HZRA1K080040	80	84.00	40	37.60	20.0
HZRA1K080045	80	84.00	45	42.30	17.5
HZRA1K080050	80	84.00	50	47.00	15.0
HZRA1K080055	80	84.00	55	51.70	12.5
HZRA1K080060	80	84.00	60	56.40	10.0
HZRA1K080065	80	84.00	65	61.10	7.5
HZRA1K080070	80	84.00	70	65.80	5.0
HZRA1K085030	85	89.25	30	28.20	27.5
HZRA1K085035	85	87.55	35	33.60	25.0
HZRA1K085040	85	87.55	40	38.40	22.5
HZRA1K085045	85	87.55	45	43.20	20.0
HZRA1K085050	85	87.55	50	48.00	17.5
HZRA1K085055	85	87.55	55	52.80	15.0
HZRA1K085060	85	87.55	60	57.60	12.5
HZRA1K085065	85	87.55	65	62.40	10.0
HZRA1K085070	85	87.55	70	67.20	7.5
HZRA1K085075	85	87.55	75	72.00	5.0
HZRA1K090030	90	94.50	30	28.20	30.0
HZRA1K090035	90	92.70	35	33.60	27.5
HZRA1K090040	90	92.70	40	38.40	25.0
HZRA1K090045	90	92.70	45	43.20	22.5
HZRA1K090050	90	92.70	50	48.00	20.0
HZRA1K090055	90	92.70	55	52.80	17.5
HZRA1K090060	90	92.70	60	56.20	15.0
HZRA1K090065	90	92.70	65	62.40	12.5
HZRA1K090070	90	92.70	70	66.20	10.0
HZRA1K090075	90	92.70	75	72.00	7.5
HZRA1K090080	90	92.70	80	76.80	5.0
HZRA1K095030	95	99.75	30	28.20	32.5
HZRA1K095035	95	97.85	35	33.60	30.0
HZRA1K095040	95	97.85	40	38.40	27.5

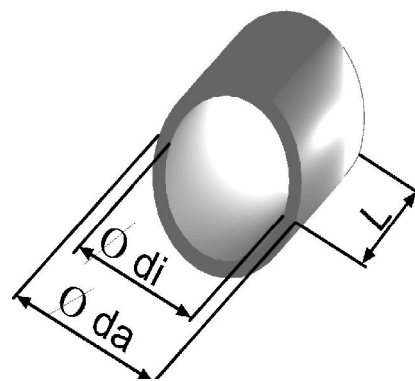
Трубы из ZEDEX 100

Длина:

< 30 кг/м: длина 2000 мм

> 30 кг/м: длина 1000 мм

Необходимая длина по запросу



Артикул	da мм	da max мм	di мм	di min мм	Толщина стенки мм
HZRA1K095045	95	97.85	45	43.20	25.0
HZRA1K095050	95	97.85	50	48.00	22.5
HZRA1K095055	95	97.85	55	52.80	20.0
HZRA1K095060	95	97.85	60	57.60	17.5
HZRA1K095065	95	97.85	65	62.40	15.0
HZRA1K095070	95	97.85	70	67.20	12.5
HZRA1K095075	95	97.85	75	72.00	10.0
HZRA1K095080	95	97.85	80	76.80	7.5
HZRA1K095085	95	97.85	85	81.60	5.0
HZRA1K100030	100	103.00	30	28.80	35.0
HZRA1K100035	100	103.00	35	33.60	32.5
HZRA1K100040	100	103.00	40	38.40	30.0
HZRA1K100045	100	103.00	45	43.20	27.5
HZRA1K100050	100	103.00	50	48.00	25.0
HZRA1K100055	100	103.00	55	52.80	22.5
HZRA1K100060	100	103.70	60	56.00	20.0
HZRA1K100065	100	103.00	65	62.40	17.5
HZRA1K100070	100	103.00	70	67.20	15.0
HZRA1K100075	100	103.00	75	72.00	12.5
HZRA1K100080	100	103.70	80	75.00	10.0
HZRA1K100085	100	103.00	85	81.60	7.5
HZRA1K100090	100	103.00	90	86.40	5.0
HZRA1K105040	105	108.15	40	38.40	32.5
HZRA1K105045	105	108.15	45	43.20	30.0
HZRA1K105050	105	108.15	50	48.00	27.5
HZRA1K105055	105	108.15	55	52.80	25.0
HZRA1K105060	105	108.15	60	56.00	22.5
HZRA1K105065	105	108.15	65	62.40	20.0
HZRA1K105070	105	108.15	70	65.50	17.5
HZRA1K105075	105	108.15	75	72.00	15.0
HZRA1K105080	105	108.15	80	75.10	12.5
HZRA1K105085	105	108.15	85	81.60	10.0
HZRA1K105090	105	108.15	90	86.40	7.5
HZRA1K105095	105	108.15	95	91.20	5.0
HZRA1K110040	110	113.30	40	38.40	35.0
HZRA1K110045	110	113.30	45	43.20	32.5
HZRA1K110050	110	113.30	50	48.00	30.0
HZRA1K110055	110	113.30	55	52.80	27.5
HZRA1K110060	110	113.30	60	57.60	25.0
HZRA1K110065	110	113.30	65	62.40	22.5
HZRA1K110070	110	113.30	70	67.20	20.0

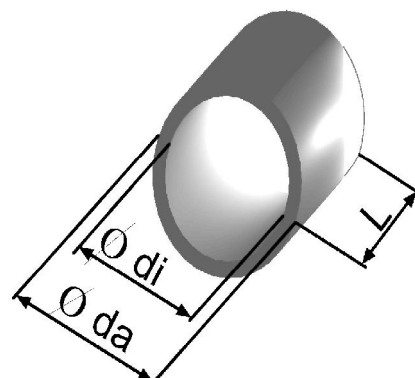
Трубы из ZEDEX 100

Длина:

< 30 кг/м: длина 2000 мм

> 30 кг/м: длина 1000 мм

Необходимая длина по запросу



Артикул	da	da max	di	di min	Толщина стенки
	MM	MM	MM	MM	MM
HZRA1K110075	110	113.30	75	72.00	17.5
HZRA1K110080	110	113.30	80	75.00	15.0
HZRA1K110085	110	113.30	85	81.60	12.5
HZRA1K110090	110	113.30	90	86.40	10.0
HZRA1K110095	110	113.30	95	91.20	7.5
HZRA1K110100	110	113.30	100	96.00	5.0
HZRA1K115040	115	118.45	40	38.40	37.5
HZRA1K115045	115	118.45	45	43.20	35.0
HZRA1K115050	115	118.45	50	48.00	32.5
HZRA1K115055	115	118.45	55	52.80	30.0
HZRA1K115060	115	118.45	60	57.60	27.5
HZRA1K115065	115	118.45	65	62.40	25.0
HZRA1K115070	115	118.45	70	67.20	22.5
HZRA1K115075	115	118.45	75	72.00	20.0
HZRA1K115080	115	118.45	80	75.00	17.5
HZRA1K115085	115	118.45	85	81.60	15.0
HZRA1K115090	115	118.45	90	86.40	12.5
HZRA1K115095	115	118.45	95	91.20	10.0
HZRA1K115100	115	118.45	100	96.00	7.5
HZRA1K115105	115	118.45	105	100.80	5.0
HZRA1K120040	120	123.60	40	38.40	40.0
HZRA1K120045	120	123.60	45	43.20	37.5
HZRA1K120050	120	123.60	50	48.00	35.0
HZRA1K120055	120	123.60	55	52.80	32.5
HZRA1K120060	120	123.60	60	57.60	30.0
HZRA1K120065	120	123.60	65	62.40	27.5
HZRA1K120070	120	123.60	70	67.20	25.0
HZRA1K120075	120	123.60	75	72.00	22.5
HZRA1K120080	120	123.60	80	76.80	20.0
HZRA1K120085	120	123.60	85	81.60	17.5
HZRA1K120090	120	123.60	90	86.40	15.0
HZRA1K120095	120	123.60	95	91.20	12.5
HZRA1K120100	120	123.60	100	96.00	10.0
HZRA1K120105	120	123.60	105	100.80	7.5
HZRA1K120110	120	123.60	110	105.60	5.0
HZRA1K125040	125	128.75	40	38.40	42.5
HZRA1K125045	125	128.75	45	43.20	40.0
HZRA1K125050	125	128.75	50	47.60	37.5
HZRA1K125055	125	128.75	55	52.80	35.0
HZRA1K125060	125	128.75	60	57.60	32.5
HZRA1K125065	125	128.75	65	62.40	30.0

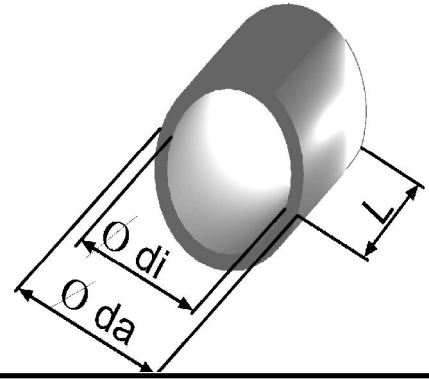
Трубы из ZEDEX 100

Длина:

< 30 кг/м: длина 2000 мм

> 30 кг/м: длина 1000 мм

Необходимая длина по запросу



Артикул	da	da max	di	di min	Толщина стенки
	мм	мм	мм	мм	мм
HZRA1K125070	125	128.75	70	67.20	27.5
HZRA1K125075	125	128.75	75	72.00	25.0
HZRA1K125080	125	128.75	80	75.00	22.5
HZRA1K125085	125	128.75	85	81.60	20.0
HZRA1K125090	125	128.75	90	86.40	17.5
HZRA1K125095	125	128.75	95	91.20	15.0
HZRA1K125100	125	128.75	100	96.00	12.5
HZRA1K125105	125	128.75	105	100.80	10.0
HZRA1K125110	125	128.75	110	105.60	7.5
HZRA1K125115	125	128.75	115	110.40	5.0
HZRA1K130040	130	133.90	40	38.40	45.0
HZRA1K130045	130	133.90	45	43.20	42.5
HZRA1K130050	130	133.90	50	48.00	40.0
HZRA1K130055	130	133.90	55	52.80	37.5
HZRA1K130060	130	133.90	60	57.60	35.0
HZRA1K130065	130	133.90	65	62.40	32.5
HZRA1K130070	130	133.90	70	67.20	30.0
HZRA1K130075	130	133.90	75	72.00	27.5
HZRA1K130080	130	133.90	80	76.80	25.0
HZRA1K130085	130	133.90	85	81.60	22.5
HZRA1K130090	130	133.90	90	86.40	20.0
HZRA1K130095	130	133.90	95	91.20	17.5
HZRA1K130100	130	133.90	100	96.00	15.0
HZRA1K130105	130	133.90	105	100.80	12.5
HZRA1K130110	130	133.90	110	105.60	10.0
HZRA1K130115	130	133.90	115	110.40	7.5
HZRA1K130120	130	133.90	120	115.20	5.0
HZRA1K135040	135	139.05	40	38.40	45.7
HZRA1K135045	135	139.05	45	43.20	45.0
HZRA1K135050	135	139.05	50	47.50	42.5
HZRA1K135055	135	139.05	55	52.80	40.0
HZRA1K135060	135	139.05	60	57.60	37.5
HZRA1K135065	135	139.05	65	62.40	35.0
HZRA1K135070	135	139.05	70	67.20	32.5
HZRA1K135075	135	139.05	75	72.00	30.0
HZRA1K135080	135	139.05	80	74.70	27.5
HZRA1K135085	135	139.05	85	81.60	25.0
HZRA1K135090	135	139.05	90	86.40	22.5
HZRA1K135095	135	139.05	95	91.20	20.0
HZRA1K135100	135	139.05	100	96.00	17.5
HZRA1K135105	135	139.05	105	100.80	15.0

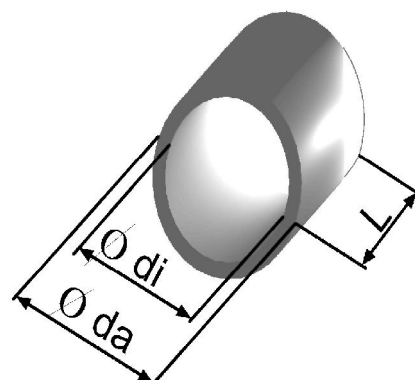
Трубы из ZEDEX 100

Длина:

< 30 кг/м: длина 2000 мм

> 30 кг/м: длина 1000 мм

Необходимая длина по запросу



Артикул	da	da max	di	di min	Толщина стенки
	MM	MM	MM	MM	MM
HZRA1K135110	135	139.05	110	105.60	12.5
HZRA1K135115	135	139.05	115	110.40	10.0
HZRA1K135120	135	139.05	120	115.20	7.5
HZRA1K135125	135	139.05	125	120.00	5.0
HZRA1K140040	140	144.20	40	38.40	50.0
HZRA1K140045	140	144.20	45	43.20	47.5
HZRA1K140050	140	144.20	50	48.00	45.0
HZRA1K140055	140	144.20	55	52.80	42.5
HZRA1K140060	140	144.20	60	57.60	40.0
HZRA1K140065	140	144.20	65	62.40	37.5
HZRA1K140070	140	144.20	70	67.20	35.0
HZRA1K140075	140	144.20	75	72.00	32.5
HZRA1K140080	140	144.20	80	76.80	30.0
HZRA1K140085	140	144.20	85	81.60	27.5
HZRA1K140090	140	144.20	90	86.40	25.0
HZRA1K140095	140	144.20	95	91.20	22.5
HZRA1K140100	140	144.20	100	96.00	20.0
HZRA1K140105	140	144.20	105	100.80	17.5
HZRA1K140110	140	144.20	110	105.60	15.0
HZRA1K140115	140	144.20	115	110.40	12.5
HZRA1K140120	140	144.20	120	115.20	10.0
HZRA1K140125	140	144.20	125	120.00	7.5
HZRA1K140130	140	144.20	130	124.80	5.0
HZRA1K145040	145	149.35	40	38.40	52.5
HZRA1K145045	145	149.35	45	43.20	50.0
HZRA1K145050	145	149.35	50	48.00	47.5
HZRA1K145055	145	149.35	55	52.80	45.0
HZRA1K145060	145	149.35	60	57.60	42.5
HZRA1K145065	145	149.35	65	62.40	40.0
HZRA1K145070	145	149.35	70	67.20	37.5
HZRA1K145075	145	149.35	75	72.00	35.0
HZRA1K145080	145	149.35	80	76.80	32.5
HZRA1K145085	145	149.35	85	81.60	30.0
HZRA1K145090	145	149.35	90	86.40	27.5
HZRA1K145095	145	149.35	95	91.20	25.0
HZRA1K145100	145	149.35	100	96.00	22.5
HZRA1K145105	145	149.35	105	100.80	20.0
HZRA1K145110	145	149.35	110	105.60	17.5
HZRA1K145115	145	149.35	115	110.40	15.0
HZRA1K145120	145	149.35	120	115.20	12.5
HZRA1K145125	145	149.35	125	120.00	10.0

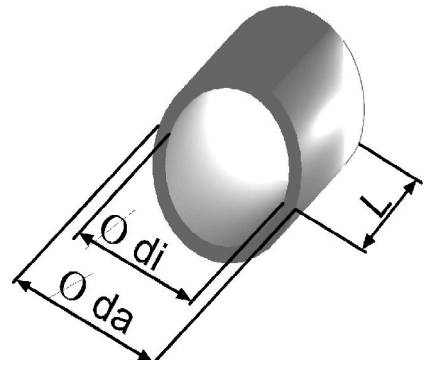
Трубы из ZEDEX 100

Длина:

< 30 кг/м: длина 2000 мм

> 30 кг/м: длина 1000 мм

Необходимая длина по запросу



Артикул	da	da max	di	di min	Толщина стенки
	мм	мм	мм	мм	мм
HZRA1K145130	145	149.35	130	124.80	7.5
HZRA1K145135	145	149.35	135	129.60	5.0
HZRA1K150040	150	154.50	40	38.40	55.0
HZRA1K150045	150	154.50	45	43.20	52.5
HZRA1K150050	150	154.50	50	47.30	50.0
HZRA1K150055	150	154.50	55	52.80	47.5
HZRA1K150060	150	154.50	60	57.60	45.0
HZRA1K150065	150	154.50	65	62.40	42.5
HZRA1K150070	150	154.50	70	67.20	40.0
HZRA1K150075	150	154.50	75	72.00	37.5
HZRA1K150080	150	154.50	80	72.80	35.0
HZRA1K150085	150	154.50	85	81.60	32.5
HZRA1K150090	150	154.50	90	86.40	30.0
HZRA1K150095	150	154.50	95	91.20	27.5
HZRA1K150100	150	154.50	100	95.60	25.0
HZRA1K150105	150	154.50	105	100.80	22.5
HZRA1K150110	150	154.50	110	105.60	20.0
HZRA1K150115	150	154.50	115	110.40	17.5
HZRA1K150120	150	154.50	120	115.20	15.0
HZRA1K150125	150	154.50	125	120.00	12.5
HZRA1K150130	150	154.50	130	124.80	10.0
HZRA1K150135	150	154.50	135	129.60	7.5
HZRA1K150140	150	154.50	140	134.40	5.0
HZRA1K155040	155	159.65	40	38.40	57.5
HZRA1K155045	155	159.65	45	43.20	55.0
HZRA1K155050	155	159.65	50	48.00	52.5
HZRA1K155055	155	159.65	55	52.80	50.0
HZRA1K155060	155	159.65	60	57.60	47.5
HZRA1K155065	155	159.65	65	62.40	45.0
HZRA1K155070	155	159.65	70	67.20	42.5
HZRA1K155075	155	159.65	75	72.00	40.0
HZRA1K155080	155	159.65	80	76.80	37.5
HZRA1K155085	155	159.65	85	81.60	35.0
HZRA1K155090	155	159.65	90	86.40	32.5
HZRA1K155095	155	159.65	95	91.20	30.0
HZRA1K155100	155	159.65	100	96.00	27.5
HZRA1K155105	155	159.65	105	100.80	25.0
HZRA1K155110	155	159.65	110	105.60	22.5
HZRA1K155115	155	159.65	115	110.40	20.0
HZRA1K155120	155	159.65	120	115.20	17.5
HZRA1K155125	155	159.65	125	120.00	15.0

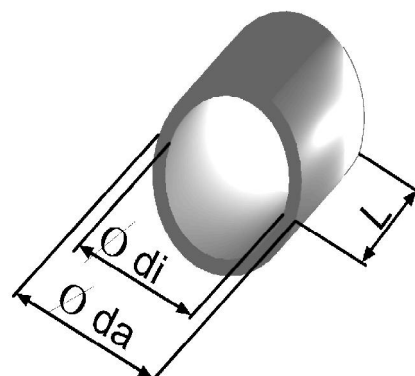
Трубы из ZEDEX 100

Длина:

< 30 кг/м: длина 2000 мм

> 30 кг/м: длина 1000 мм

Необходимая длина по запросу



Артикул	da	da max	di	di min	Толщина стенки
	мм	мм	мм	мм	мм
HZRA1K155130	155	159.65	130	124.80	12.5
HZRA1K155135	155	159.65	135	129.60	10.0
HZRA1K160040	160	164.80	40	37.60	60.0
HZRA1K160045	160	164.80	45	43.20	57.5
HZRA1K160050	160	164.80	50	48.00	55.0
HZRA1K160055	160	164.80	55	52.80	52.5
HZRA1K160060	160	164.80	60	57.60	50.0
HZRA1K160065	160	164.80	65	62.40	47.5
HZRA1K160070	160	164.80	70	63.50	45.0
HZRA1K160075	160	164.80	75	72.00	42.5
HZRA1K160080	160	164.80	80	76.80	40.0
HZRA1K160085	160	164.80	85	81.60	37.5
HZRA1K160090	160	164.80	90	86.40	35.0
HZRA1K160095	160	164.80	95	91.20	32.5
HZRA1K160100	160	164.80	100	96.00	30.0
HZRA1K160105	160	164.80	105	100.80	27.5
HZRA1K160110	160	164.80	110	105.60	25.0
HZRA1K160115	160	164.80	115	110.40	22.5
HZRA1K160120	160	164.80	120	115.20	20.0
HZRA1K160125	160	164.80	125	120.00	17.5
HZRA1K160130	160	164.80	130	124.80	15.0
HZRA1K160135	160	164.80	135	129.60	12.5
HZRA1K160140	160	164.80	140	134.40	10.0
HZRA1K165040	165	169.95	40	37.00	62.5
HZRA1K165050	165	169.95	50	48.00	57.5
HZRA1K165055	165	169.95	55	52.80	55.0
HZRA1K165060	165	169.95	60	57.60	52.5
HZRA1K165065	165	169.95	65	62.40	50.0
HZRA1K165070	165	169.95	70	67.20	47.5
HZRA1K165075	165	169.95	75	72.00	45.0
HZRA1K165080	165	169.95	80	76.80	42.5
HZRA1K165085	165	169.95	85	81.60	40.0
HZRA1K165090	165	169.95	90	86.40	37.5
HZRA1K165095	165	169.95	95	91.20	35.0
HZRA1K165100	165	169.95	100	96.00	32.5
HZRA1K165105	165	169.95	105	100.80	30.0
HZRA1K165110	165	169.95	110	105.60	27.5
HZRA1K165115	165	169.95	115	110.40	25.0
HZRA1K165120	165	169.95	120	115.20	22.5
HZRA1K165125	165	169.95	125	120.00	20.0
HZRA1K165130	165	169.95	130	124.80	17.5

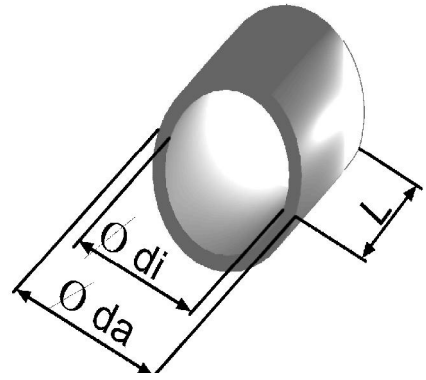
Трубы из ZEDEX 100

Длина:

< 30 кг/м: длина 2000 мм

> 30 кг/м: длина 1000 мм

Необходимая длина по запросу



Артикул	da	da max	di	di min	Толщина стенки
	MM	MM	MM	MM	MM
HZRA1K165135	165	169.95	135	129.60	15.0
HZRA1K165140	165	169.95	140	134.40	12.5
HZRA1K165145	165	169.95	145	139.20	10.0
HZRA1K170040	170	175.10	40	36.90	65
HZRA1K170050	170	175.10	50	48.00	60.0
HZRA1K170055	170	175.10	55	52.80	57.5
HZRA1K170060	170	175.10	60	57.60	55.0
HZRA1K170065	170	175.10	65	62.40	52.5
HZRA1K170070	170	175.10	70	67.20	50.0
HZRA1K170075	170	175.10	75	72.00	47.5
HZRA1K170080	170	175.10	80	76.80	45.0
HZRA1K170085	170	175.10	85	81.60	42.5
HZRA1K170090	170	175.10	90	86.40	40.0
HZRA1K170095	170	175.10	95	91.20	37.5
HZRA1K170100	170	175.10	100	96.00	35.0
HZRA1K170105	170	175.10	105	100.80	32.5
HZRA1K170110	170	175.10	110	105.60	30.0
HZRA1K170115	170	175.10	115	110.40	27.5
HZRA1K170120	170	175.10	120	115.20	25.0
HZRA1K170125	170	175.10	125	120.00	22.5
HZRA1K170130	170	175.10	130	124.80	20.0
HZRA1K170135	170	175.10	135	129.60	17.5
HZRA1K170140	170	175.10	140	134.40	15.0
HZRA1K170145	170	175.10	145	139.20	12.5
HZRA1K170150	170	175.10	150	144.00	10.0
HZRA1K170155	170	175.10	155	148.80	7.5
HZRA1K170160	170	175.10	160	153.60	5.0
HZRA1K175040	175	180.25	40	36.90	67.5
HZRA1K175045	175	180.25	45	42.30	65.0
HZRA1K175050	175	180.25	50	48.00	62.5
HZRA1K175055	175	180.25	55	52.80	60.0
HZRA1K175060	175	180.25	60	57.60	57.5
HZRA1K175065	175	180.25	65	62.40	55.0
HZRA1K175070	175	180.25	70	67.20	52.5
HZRA1K175075	175	180.25	75	72.00	50.0
HZRA1K175080	175	180.25	80	76.80	47.5
HZRA1K175085	175	180.25	85	81.60	45.0
HZRA1K175090	175	180.25	90	86.40	42.5
HZRA1K175095	175	180.25	95	91.20	40.0
HZRA1K175100	175	180.25	100	96.00	37.5
HZRA1K175105	175	180.25	105	100.80	35.0

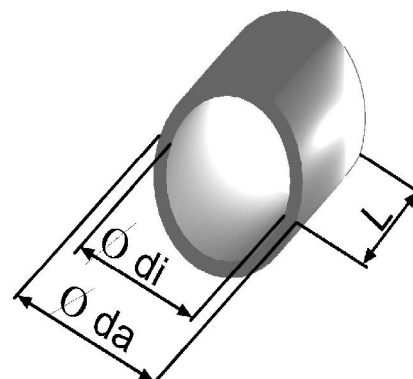
Трубы из ZEDEX 100

Длина:

< 30 кг/м: длина 2000 мм

> 30 кг/м: длина 1000 мм

Необходимая длина по запросу



Артикул	da	da max	di	di min	Толщина стенки
	мм	мм	мм	мм	мм

HZRA1K175110	175	180.25	110	105.60	32.5
HZRA1K175115	175	180.25	115	110.40	30.0
HZRA1K175120	175	180.25	120	115.20	27.5
HZRA1K175125	175	180.25	125	120.00	25.0
HZRA1K175130	175	180.25	130	124.80	22.5
HZRA1K175135	175	180.25	135	129.60	20.0
HZRA1K175140	175	180.25	140	134.40	17.5
HZRA1K175145	175	180.25	145	139.20	15.0
HZRA1K175150	175	180.25	150	144.00	12.5
HZRA1K175155	175	180.25	155	148.80	10.0
HZRA1K180040	180	185.40	40	36.90	70.0
HZRA1K180045	180	185.40	45	41.54	67.5
HZRA1K180050	180	185.40	50	48.00	65.0
HZRA1K180055	180	185.40	55	52.80	62.5
HZRA1K180060	180	185.40	60	57.60	60.0
HZRA1K180065	180	185.40	65	62.40	57.5
HZRA1K180070	180	185.40	70	67.20	55.0
HZRA1K180075	180	185.40	75	72.00	52.5
HZRA1K180080	180	185.40	80	72.00	50.0
HZRA1K180085	180	185.40	85	81.60	47.5
HZRA1K180090	180	185.40	90	86.40	45.0
HZRA1K180095	180	185.40	95	91.20	42.5
HZRA1K180100	180	185.40	100	96.00	40.0
HZRA1K180105	180	185.40	105	100.80	37.5
HZRA1K180110	180	185.40	110	105.60	35.0
HZRA1K180115	180	185.40	115	109.40	32.5
HZRA1K180120	180	185.40	120	115.20	30.0
HZRA1K180125	180	185.40	125	120.00	27.5
HZRA1K180130	180	185.40	130	124.80	25.0
HZRA1K180135	180	185.40	135	129.60	22.5
HZRA1K180140	180	185.40	140	134.40	20.0
HZRA1K180145	180	185.40	145	139.20	17.5
HZRA1K180150	180	185.40	150	144.00	15.0
HZRA1K180155	180	185.40	155	148.80	12.5
HZRA1K180160	180	185.40	160	153.60	10.0
HZRA1K185040	185	190.55	40	36.90	72.5
HZRA1K185045	185	190.55	45	41.54	70.0
HZRA1K185050	185	190.55	50	48.00	67.5
HZRA1K185055	185	190.55	55	52.80	65.0
HZRA1K185060	185	190.55	60	57.60	62.5
HZRA1K185065	185	190.55	65	62.40	60.0

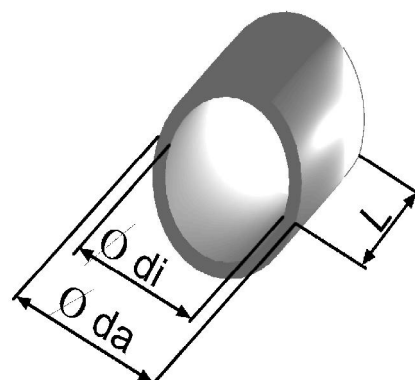
Трубы из ZEDEX 100

Длина:

< 30 кг/м: длина 2000 мм

> 30 кг/м: длина 1000 мм

Необходимая длина по запросу



Артикул	da	da max	di	di min	Толщина стенки
	MM	MM	MM	MM	MM
HZRA1K185070	185	190.55	70	67.20	57.5
HZRA1K185075	185	190.55	75	72.00	55.0
HZRA1K185080	185	190.55	80	76.80	52.5
HZRA1K185085	185	190.55	85	81.60	50.0
HZRA1K185090	185	190.55	90	86.40	47.5
HZRA1K185095	185	190.55	95	91.20	45.0
HZRA1K185100	185	190.55	100	96.00	42.5
HZRA1K185105	185	190.55	105	100.80	40.0
HZRA1K185110	185	190.55	110	105.60	37.5
HZRA1K185115	185	190.55	115	110.40	35.0
HZRA1K185120	185	190.55	120	115.20	32.5
HZRA1K185125	185	190.55	125	120.00	30.0
HZRA1K185130	185	190.55	130	124.80	27.5
HZRA1K185135	185	190.55	135	129.60	25.0
HZRA1K185140	185	190.55	140	134.40	22.5
HZRA1K185145	185	190.55	145	139.20	20.0
HZRA1K185150	185	190.55	150	144.00	17.5
HZRA1K185155	185	190.55	155	148.80	15.0
HZRA1K185160	185	190.55	160	153.60	12.5
HZRA1K185165	185	190.55	165	158.40	10.0
HZRA1K190040	190	195.70	40	36.90	75.0
HZRA1K190045	190	195.70	45	42.30	72.5
HZRA1K190050	190	195.70	50	48.00	70.0
HZRA1K190055	190	195.70	55	52.80	67.5
HZRA1K190060	190	195.70	60	57.60	65.0
HZRA1K190065	190	195.70	65	62.40	62.5
HZRA1K190070	190	195.70	70	67.20	60.0
HZRA1K190075	190	195.70	75	72.00	57.5
HZRA1K190080	190	195.70	80	76.80	55.0
HZRA1K190085	190	195.70	85	81.60	52.5
HZRA1K190090	190	195.70	90	86.40	50.0
HZRA1K190095	190	195.70	95	91.20	47.5
HZRA1K190100	190	195.70	100	96.00	45.0
HZRA1K190105	190	195.70	105	100.80	42.5
HZRA1K190110	190	195.70	110	105.60	40.0
HZRA1K190115	190	195.70	115	110.40	37.5
HZRA1K190120	190	195.70	120	115.20	35.0
HZRA1K190125	190	195.70	125	120.00	32.5
HZRA1K190130	190	195.70	130	124.80	30.0
HZRA1K190135	190	195.70	135	129.60	27.5
HZRA1K190140	190	195.70	140	134.40	25.0

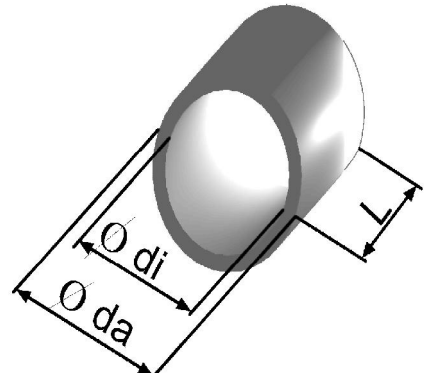
Трубы из ZEDEX 100

Длина:

< 30 кг/м: длина 2000 мм

> 30 кг/м: длина 1000 мм

Необходимая длина по запросу



Артикул	da	da max	di	di min	Толщина стенки
	MM	MM	MM	MM	MM
HZRA1K190145	190	195.70	145	139.20	22.5
HZRA1K190150	190	195.70	150	144.00	20.0
HZRA1K190155	190	195.70	155	148.80	17.5
HZRA1K190160	190	195.70	160	153.60	15.0
HZRA1K190165	190	195.70	165	158.40	12.5
HZRA1K190170	190	195.70	170	163.20	10.0
HZRA1K200040	200	206.00	40	36.90	80.0
HZRA1K200045	200	206.00	45	41.54	77.5
HZRA1K200050	200	206.00	50	45.00	75.0
HZRA1K200055	200	206.00	55	52.80	72.5
HZRA1K200060	200	206.00	60	57.60	70.0
HZRA1K200065	200	206.00	65	62.40	67.5
HZRA1K200070	200	206.00	70	67.20	65.0
HZRA1K200075	200	206.00	75	72.00	62.5
HZRA1K200080	200	206.00	80	76.80	60.0
HZRA1K200085	200	206.00	85	81.60	57.5
HZRA1K200090	200	206.00	90	86.40	55.0
HZRA1K200095	200	206.00	95	91.20	52.5
HZRA1K200100	200	206.00	100	96.00	50.0
HZRA1K200105	200	206.00	105	100.80	47.5
HZRA1K200110	200	206.00	110	105.60	45.0
HZRA1K200115	200	206.00	115	106.50	42.5
HZRA1K200120	200	206.00	120	115.20	40.0
HZRA1K200125	200	206.00	125	120.00	37.5
HZRA1K200130	200	206.00	130	124.80	35.0
HZRA1K200135	200	206.00	135	129.60	32.5
HZRA1K200140	200	206.00	140	134.40	30.0
HZRA1K200145	200	206.00	145	139.20	27.5
HZRA1K200150	200	206.00	150	144.00	25.0
HZRA1K200155	200	206.00	155	148.80	22.5
HZRA1K200160	200	206.00	160	153.60	20.0
HZRA1K200165	200	206.00	165	158.40	17.5
HZRA1K200170	200	206.00	170	163.20	15.0
HZRA1K200175	200	206.00	175	168.00	12.5
HZRA1K200180	200	206.00	180	172.80	10.0
HZRA1K210050	210	214.60	50	45.00	80.0
HZRA1K210055	210	214.60	55	52.80	77.5
HZRA1K210060	210	214.60	60	57.60	75.0
HZRA1K210065	210	214.60	65	62.40	72.5
HZRA1K210070	210	214.60	70	65.10	70.0
HZRA1K210075	210	214.60	75	72.00	67.5

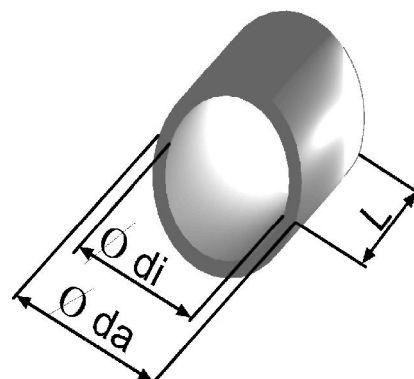
Трубы из ZEDEX 100

Длина:

< 30 кг/м: длина 2000 мм

> 30 кг/м: длина 1000 мм

Необходимая длина по запросу



Артикул	da	da max	di	di min	Толщина стенки
	ММ	ММ	ММ	ММ	ММ
HZRA1K210080	210	214.60	80	76.80	65.0
HZRA1K210085	210	214.60	85	81.60	62.5
HZRA1K210090	210	214.60	90	86.40	60.0
HZRA1K210095	210	214.60	95	91.20	57.5
HZRA1K210100	210	214.60	100	96.00	55.0
HZRA1K210105	210	214.60	105	100.80	52.5
HZRA1K210110	210	214.60	110	105.60	50.0
HZRA1K210115	210	214.60	115	110.50	47.5
HZRA1K210120	210	214.60	120	115.20	45.0
HZRA1K210125	210	214.60	125	120.00	42.5
HZRA1K210130	210	214.60	130	124.80	40.0
HZRA1K210135	210	214.60	135	129.60	37.5
HZRA1K210140	210	214.60	140	134.40	35.0
HZRA1K210145	210	214.60	145	139.20	32.5
HZRA1K210150	210	214.60	150	144.00	30.0
HZRA1K210155	210	214.60	155	148.80	27.5
HZRA1K210160	210	214.60	160	153.60	25.0
HZRA1K210165	210	214.60	165	158.40	22.5
HZRA1K210170	210	214.60	170	163.20	20.0
HZRA1K210175	210	214.60	175	168.00	17.5
HZRA1K210180	210	214.60	180	174.70	15.0
HZRA1K210185	210	214.60	185	179.0	12.5
HZRA1K210190	210	214.60	190	185.20	10.0
HZRA1K225050	225	231.75	50	45.00	87.5
HZRA1K225055	225	231.75	55	52.80	85.0
HZRA1K225060	225	231.75	60	57.60	82.5
HZRA1K225065	225	231.75	65	62.40	80.0
HZRA1K225070	225	231.75	70	67.20	77.5
HZRA1K225075	225	231.75	75	72.00	75.0
HZRA1K225080	225	231.75	80	76.80	72.5
HZRA1K225085	225	231.75	85	81.60	70.0
HZRA1K225090	225	231.75	90	86.40	67.5
HZRA1K225095	225	231.75	95	91.20	65.0
HZRA1K225100	225	231.75	100	96.00	62.5
HZRA1K225105	225	231.75	105	100.80	60.0
HZRA1K225110	225	231.75	110	105.60	57.5
HZRA1K225115	225	231.75	115	110.40	55.0
HZRA1K225120	225	231.75	120	115.20	52.5
HZRA1K225125	225	231.75	125	120.00	50.0
HZRA1K225130	225	231.75	130	124.80	47.5
HZRA1K225135	225	231.75	135	129.60	45.0

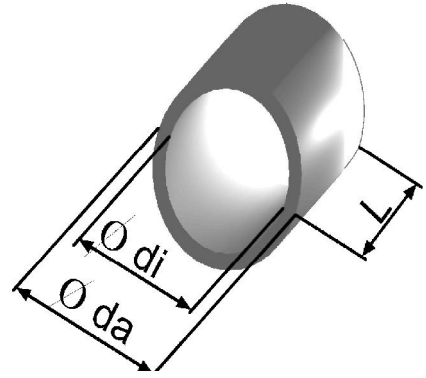
Труба из ZEDEX 100

Длина:

< 30 кг/м: длина 2000 мм

> 30 кг/м: длина 1000 мм

Необходимая длина по запросу



Артикул	da	da max	di	di min	Толщина стенки
	мм	мм	мм	мм	мм
HZRA1K225140	225	231.75	140	134.40	42.5
HZRA1K225145	225	231.75	145	133.84	40.0
HZRA1K225150	225	231.75	150	138.45	37.5
HZRA1K225155	225	231.75	155	143.07	35.0
HZRA1K225160	225	231.75	160	147.68	32.5
HZRA1K225165	225	231.75	165	152.30	30.0
HZRA1K225170	225	231.75	170	156.91	27.5
HZRA1K225175	225	231.75	175	161.53	25.0
HZRA1K225180	225	231.75	180	166.14	22.5
HZRA1K225190	225	231.75	190	175.37	17.5
HZRA1K225200	225	231.75	200	184.60	12.5
HZRA1K235050	235	241.80	50	45.00	92.5
HZRA1K235055	235	241.80	55	52.80	90.0
HZRA1K235060	235	241.80	60	55.00	87.5
HZRA1K235065	235	241.80	65	62.40	85.0
HZRA1K235070	235	241.80	70	63.50	82.5
HZRA1K235075	235	241.80	75	72.00	80.0
HZRA1K235080	235	241.80	80	76.80	77.5
HZRA1K235085	235	241.80	85	81.60	75.0
HZRA1K235090	235	241.80	90	86.40	72.5
HZRA1K235095	235	241.80	95	91.20	70.0
HZRA1K235100	235	241.80	100	95.30	67.5
HZRA1K235105	235	241.80	105	100.80	65.0
HZRA1K235110	235	241.80	110	105.60	62.5
HZRA1K235115	235	241.80	115	109.40	60.0
HZRA1K235120	235	241.80	120	115.20	57.5
HZRA1K235125	235	241.80	125	120.00	55.0
HZRA1K235130	235	241.80	130	124.80	52.5
HZRA1K235140	235	241.80	140	134.40	47.5
HZRA1K235145	235	241.80	145	139.20	45.0
HZRA1K235150	235	241.80	150	144.00	42.5
HZRA1K235155	235	241.80	155	148.80	40.0
HZRA1K235160	235	241.80	160	153.60	37.5
HZRA1K235165	235	241.80	165	158.40	35.0
HZRA1K235170	235	241.80	170	163.20	32.5
HZRA1K235175	235	241.80	175	168.00	30.0
HZRA1K235180	235	241.80	180	172.80	27.5
HZRA1K235190	235	241.80	190	182.40	22.5
HZRA1K235200	235	241.80	200	192.00	17.5
HZRA1K255050	255	262.65	50	48.00	102.5
HZRA1K255055	255	262.65	55	52.80	100.0
HZRA1K255060	255	262.65	60	57.60	97.5

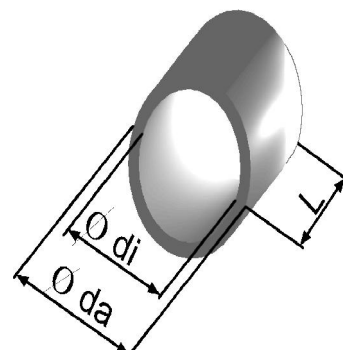
Труба из ZEDEX 100

Длина:

< 30 кг/м: длина 2000 мм

> 30 кг/м: длина 1000 мм

Необходимая длина по запросу



Артикул	da MM	da max MM	di MM	di min MM	Толщина стенки MM
HZRA1K255065	255	262.65	65	62.40	95.0
HZRA1K255070	255	262.65	70	67.20	92.5
HZRA1K255075	255	262.65	75	72.00	90.0
HZRA1K255080	255	262.65	80	76.80	87.5
HZRA1K255085	255	262.65	85	81.60	85.0
HZRA1K255090	255	262.65	90	86.40	82.5
HZRA1K255095	255	262.65	95	91.20	80.0
HZRA1K255100	255	262.65	100	96.00	77.5
HZRA1K255105	255	262.65	105	100.80	75.0
HZRA1K255110	255	262.65	110	105.60	72.5
HZRA1K255115	255	262.65	115	109.40	70.0
HZRA1K255120	255	262.65	120	115.20	67.5
HZRA1K255125	255	262.65	125	120.00	65.0
HZRA1K255130	255	262.65	130	124.80	62.5
HZRA1K255135	255	262.65	135	129.60	60.0
HZRA1K255140	255	262.65	140	134.40	57.5
HZRA1K255145	255	262.65	145	139.20	55.0
HZRA1K255150	255	262.65	150	144.00	52.5
HZRA1K255155	255	262.65	155	148.80	50.0
HZRA1K255160	255	262.65	160	153.60	47.5
HZRA1K255165	255	262.65	165	158.40	45.0
HZRA1K255170	255	262.65	170	163.20	42.5
HZRA1K255175	255	262.65	175	168.00	40.0
HZRA1K255180	255	262.65	180	172.80	37.5
HZRA1K255190	255	262.65	190	182.40	32.5
HZRA1K255200	255	262.65	200	192.00	27.5
HZRA1K280115	280		115		82.5
HZRA1K280200	280		200		40.0
HZRA1K280230	280		230		25.0
HZRA1K315200	315		200		57.5
HZRA1K315230	315		230		42.5
HZRA1K315250	315		250		32.5
HZRA1K315280	315		280		17.5
HZRA1K350200	350		200		75.0
HZRA1K350230	350		230		60.0
HZRA1K350250	350		250		50.0
HZRA1K350280	350		280		35.0
HZRA1K380300	380		300		40.0

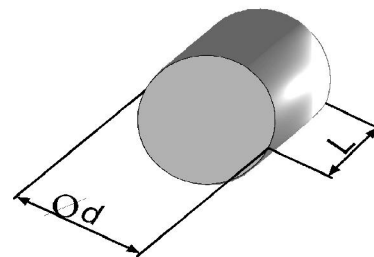
Прутки из ZEDEX 100

Длина:

< 30 кг/м: длина 2000 мм

> 30 кг/м: длина 1000 мм

Необходимая длина по запросу



Артикул	d мм	da max мм
HZSA1K012	6	6.18
HZSA1K016	8	8.24
HZSA1K020	10	10.50
HZSA1K024	12	12.36
HZSA1K030	15	15.45
HZSA1K036	18	18.54
HZSA1K040	20	20.60
HZSA1K044	22	23.30
HZSA1K050	25	26.60
HZSA1K060	30	31.30
HZSA1K070	35	36.40
HZSA1K080	40	41.20
HZSA1K090	45	46.35
HZSA1K100	50	52.60
HZSA1K110	55	56.65
HZSA1K120	60	62.20
HZSA1K130	65	66.95
HZSA1K140	70	72.10
HZSA1K150	75	77.25
HZSA1K160	80	82.40
HZSA1K170	85	87.55
HZSA1K180	90	92.70
HZSA1K190	95	97.85
HZSA1K200	100	103.30
HZSA1K210	105	108.15
HZSA1K220	110	113.30
HZSA1K230	115	118.45
HZSA1K240	120	123.60
HZSA1K250	125	125.75
HZSA1K260	130	133.90
HZSA1K270	135	139.05
HZSA1K280	140	144.20
HZSA1K290	145	150.50
HZSA1K300	150	154.50
HZSA1K310	155	159.65
HZSA1K320	160	164.80
HZSA1K330	165	169.95
HZSA1K340	170	175.10
HZSA1K350	175	180.25
HZSA1K360	180	185.40
HZSA1K370	185	190.55
HZSA1K380	190	195.70
HZSA1K400	200	206.00

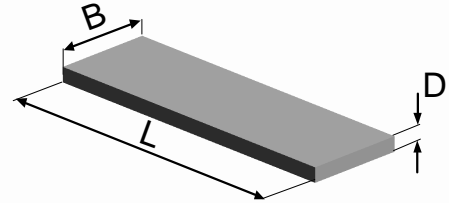
Плиты из ZEDEX 100

Допуски:

Допуск толщины D_{min} не должен превышать 90% номинального размера

Срок поставки:

Необходимые размеры по запросу



Артикул	D	D max	D min	B	B max	L	L max
	мм	мм	мм	мм	мм	мм	мм
HZPA1K002012	1.0	1,20	0,9	1000	1020	2000	2020
HZPA1K002011	1.0	1,20	0,9	1000	1020	1000	1020
HZPA1K003012	1.5	1,60	1,4	1000	1020	2000	2020
HZPA1K003011	1.5	1,60	1,4	1000	1020	1000	1020
HZPA1K004012	2.0	2,15	1,85	1000	1020	2000	2020
HZPA1K004011	2.0	2,15	1,85	1000	1020	1000	1020
HZPA1K005012	2.5	2,65	2,35	1000	1020	2000	2020
HZPA1K005011	2.5	2,65	2,35	1000	1020	1000	1020
HZPA1K006012	3.0	3,3	2,8	1000	1020	2000	2020
HZPA1K006011	3.0	3,3	2,8	1000	1020	1000	1020
HZPA1K008012	4.0	4,3	3,8	1000	1020	2000	2020
HZPA1K008011	4.0	4,3	3,8	1000	1020	1000	1020
HZPA1K010012	5.0	5,3	4,75	1000	1020	2000	2020
HZPA1K010011	5.0	5,3	4,75	1000	1020	1000	1020
HZPA1K012012	6.0	6,35	5,7	1000	1020	2000	2020
HZPA1K012011	6.0	6,35	5,7	1000	1020	1000	1020
HZPA1K016012	8.0	8,85	8,0	1000	1020	2000	2020
HZPA1K016011	8.0	8,85	8,0	1000	1020	1000	1020
HZPA1K020062	10.0	11,5	10,0	600	620	2000	2020
HZPA1K020011	10.0	10,9	10,0	600	1020	1000	1020
HZPA1K024062	12.0	13,5	12,0	600	620	2000	2020
HZPA1K024061	12.0	13,5	12,0	600	620	1000	1020
HZPA1K030062	15.0	16,8	15,0	600	620	2000	2020
HZPA1K030061	15.0	16,8	15,0	600	620	1000	1020
HZPA1K040062	20.0	21,8	20,0	600	620	2000	2020
HZPA1K040061	20.0	21,8	20,0	600	620	1000	1020
HZPA1K050062	25.0	26,2	25,0	600	620	2000	2020
HZPA1K050061	25.0	26,2	25,0	600	620	1000	1020
HZPA1K060062	30.0	33,2	30,0	600	620	2000	2020
HZPA1K060061	30.0	33,2	30,0	600	620	1000	1020
HZPA1K070062	35.0	39,5	35,0	600	620	2000	2020
HZPA1K070061	35.0	39,5	35,0	600	620	1000	1020
HZPA1K080062	40.0	42,3	40,0	600	620	2000	2020
HZPA1K080061	40.0	42,3	40,0	600	620	1000	1020
HZPA1K100062	50.0	52,0	50,0	600	620	2000	2020
HZPA1K100061	50.0	52,0	50,0	600	620	1000	1020

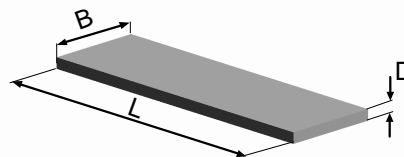
Плиты из ZEDEX 100

Допуски:

Допуск толщины D_{min} не должен превышать 90% номинального размера

Срок поставки:

Необходимые размеры по запросу



Артикул	D	D max	D min	B	B max	L	L max
	ММ	ММ	ММ	ММ	ММ	ММ	ММ
HZPA1K120061	60.0	63.5	60.5	600	620	1000	1020
HZPA1K120062	60.0	63.5	60.5	600	620	2000	2020
HZPA1K140061	70.0	73.5	70.5	600	620	1000	1020
HZPA1K140062	70.0	73.5	70.5	600	620	2000	2020
HZPA1K160061	80.0	85.0	80.0	600	620	1000	1020
HZPA1K160062	80.0	85.0	80.0	600	620	2000	2020
HZPA1K180061	90.0	95.0	90.5	600	620	1000	1020
HZPA1K180062	90.0	95.0	90.5	600	620	2000	2020
HZPA1K020061	100.0	105.0	101.0	600	620	1000	1020
HZPA1K020062	100.0	105.0	101.0	600	620	2000	2020